

INSTALLATION

Check the appliance is electrically safe and gas sound when you have finished.

Electrical Connection

When installed the range must be electrically grounded in accordance with local codes or; in the absence of local codes with the National Electrical Code ANSI/NFPA 70, latest edition.

In Canada the range must be installed in accordance with the current CSA Standard C22.1 – Canadian Electrical Code Part 1.

Electrical Requirements

⚠ CAUTION
For personal safety, do not use an extension cord with this appliance. Remove the house fuse or open the circuit breaker before beginning installation.

This appliance must be supplied with the proper voltage and frequency, and connected to an individual, properly grounded branch circuit, protected by a circuit breaker or time-delay fuse, as noted on the rating plate.

Wiring must conform to National Electric Codes. If the electric service provided does not meet the above specifications, have a licensed electrician install an approved outlet.

Because range terminals are not accessible after range is in position, flexible service conduit or cord must be used.

Provide Proper Electrical Supply

This range must be supplied with 240 V 60 Hz, and connected to an individual, properly grounded branch circuit protected by a circuit breaker or time-delay fuse (16 amp). If the electrical service provided does not meet the above specifications, it is recommended that a licensed electrician install an approved outlet.

From January 1, 1996, the National Electric Code requires that new construction (not existing) utilize a 4-conductor connection to an electric range.

Connecting using the supplied cord and plug

Your range is shipped with a 4-prong plug to be used in a NEMA 14-50R receptacle.

Recommended Electrical Outlet Locations

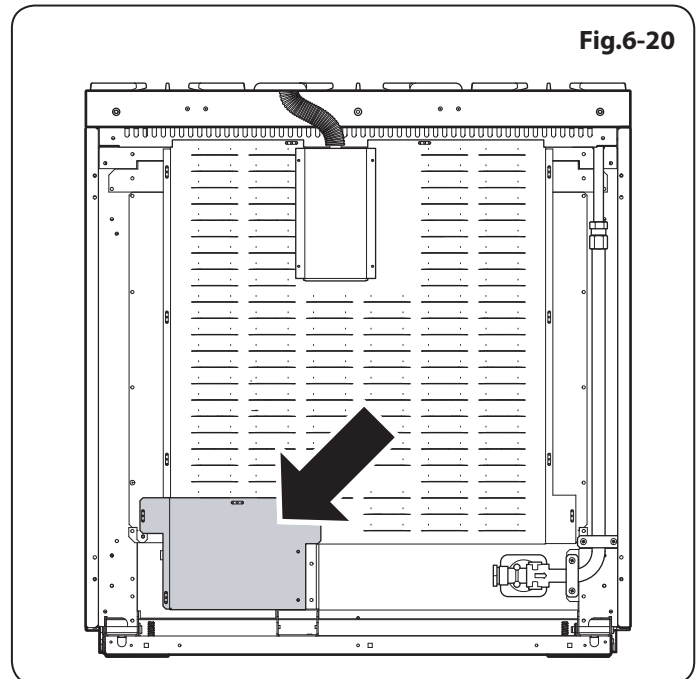
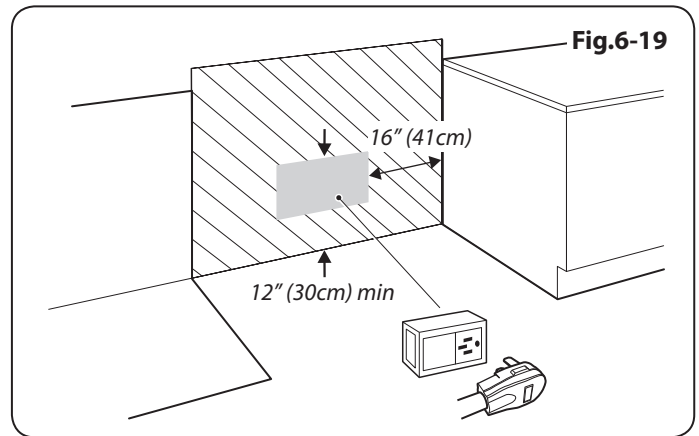
Locate the electric supply as illustrated (**Fig.6-19**).

When connecting using a NEMA 14-50R receptacle, if possible position it so that it can be accessed through the opening at the rear of the drawer cavity. The range can then be easily disconnected for servicing, etc.

Plug the range power cord into a properly grounded wall receptacle.

Connecting if the supplied cord and plug is not suitable

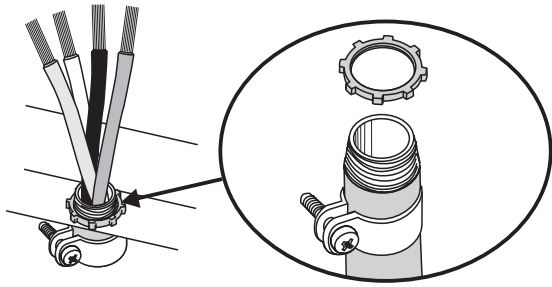
To remove the electrical connection cover (**Fig.6-20**), remove the screws.



INSTALLATION

Check the appliance is electrically safe and gas sound when you have finished.

Fig.6-21

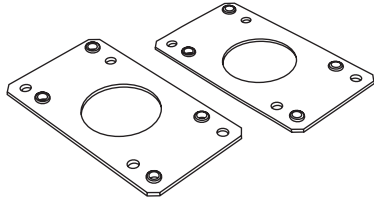


4-Wire Conduit Installation

Disconnect the supplied power cord from the terminal block and ground post. Keep the terminal block parts; you will need them. Remove the strain relief clamp from the power cord and remove the power cord and strain relief clamp from the mounting bracket (**Fig.6-21**).

The range is shipped with reducer plates to give a 1¹/₈" diameter opening for conduit connection. Find the reducer plates (**Fig.6-22**) in the conversion kit and fix them to the mounting bracket.

Fig.6-22

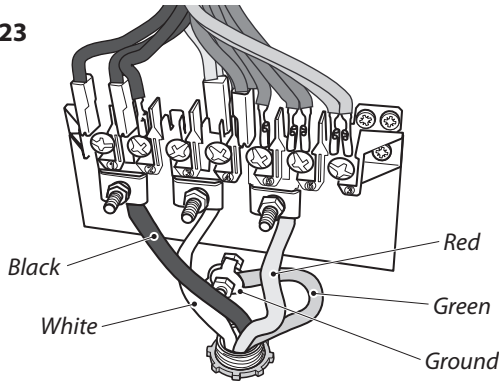


Attach a squeeze connector (not supplied with the range) to your conduit. Insert the conduit through the reducer plates on the mounting bracket. Allow enough slack to easily attach the wires to the terminal block.

Note: Do not install the conduit without a squeeze connector.

Attach the wires to the ground post and terminal block (**Fig.6-23**).

Fig.6-23



Note: Make sure the wires are completely inserted into the terminals and secure connections are made.

Secure the squeeze connector in place in the bracket by tightening the squeeze connector screws.

Replace the electrical connection cover.

Installing a 3-Wire Power Cord

Disconnect the supplied power cord from the terminal block and ground post. Keep the terminal block parts; you will need them. Remove the strain relief clamp from the power cord and remove the power cord and strain relief clamp from the mounting bracket. Discard the strain relief clamp.

Note: Do not install the power cord without a strain relief – use the clamp supplied with the cord.

Install the new strain relief device to the mounting bracket by removing the two clamping screws, feeding the two halves (ears first) through the hole in the mounting bracket and loosely replacing the screws. Insert the power cord through the strain relief device but do not tighten the device yet (**Fig.6-24**).

Fig.6-24

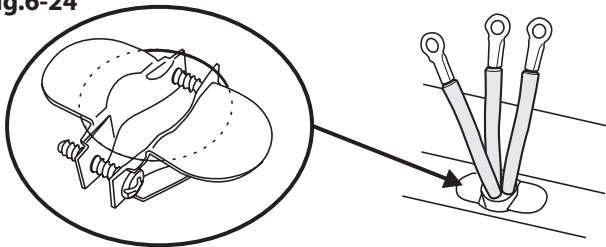
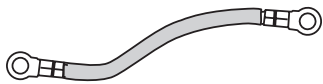


Fig.6-25



A ground strap is supplied in the conversion pack (**Fig.6-25**).

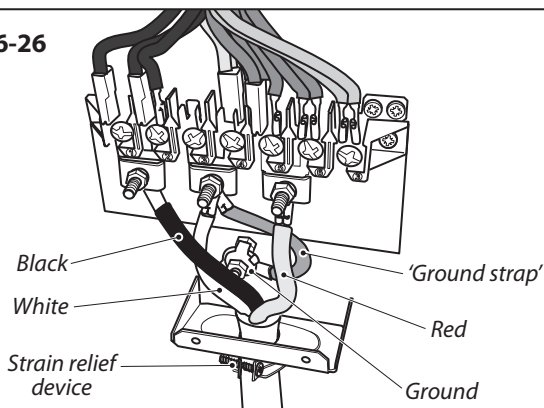
Attach the ground strap to the ground and center terminal of the connector block (**Fig.6-26**).

The neutral or ground wire of the power cord must be connected to the neutral terminal located in the center of the connector block. The power leads must be connected to the outside terminals.

Make sure the connections are tight. Now tighten the strain relief device to clamp the power cord.

Refit the electrical connection cover.

Fig.6-26



INSTALLATION

Check the appliance is electrically safe and gas sound when you have finished.

3-Wire Conduit Installation

Disconnect the supplied power cord from the terminal block and ground post. Keep the terminal block parts; you will need them. Remove the strain relief clamp from the power cord and remove the power cord and strain relief clamp from the mounting bracket.

The range is shipped with reducer plates to give a $1\frac{1}{8}$ " diameter opening for conduit connection. Find the reducer plates (**Fig.6-27**) in the conversion kit and fix them to the mounting bracket.

Install a squeeze connector (not supplied with the range), to your conduit. Insert the conduit through the reducer plates on the mounting bracket. Allow enough slack to easily attach the wires to the terminal block (**Fig.6-28**).

Note: Do not install the conduit without a squeeze connector.

Attach the ground strap to the ground and center terminal of the connector block (**Fig.6-29**).

The neutral or ground wire of the power cord must be connected to the neutral terminal located in the center of the connector block. The power leads must be connected to the outside terminals.

Note: Make sure the wires are completely inserted into the terminals and secure connections are made.

Secure the squeeze connector in place in the bracket by tightening the squeeze connector screws.

Fig.6-27

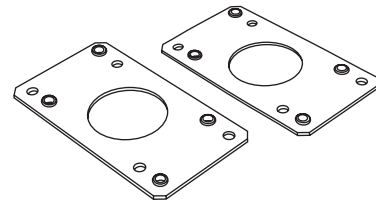


Fig.6-28

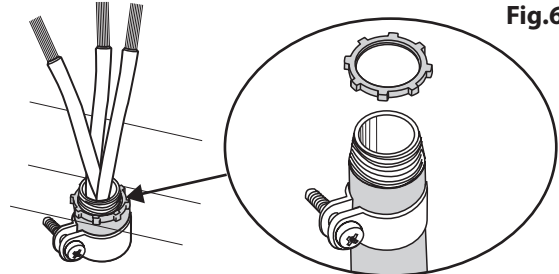
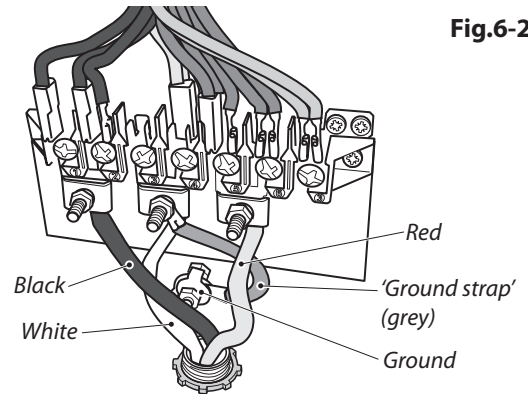


Fig.6-29



INSTALLATION

Check the appliance is electrically safe and gas sound when you have finished.

Fig.6-30

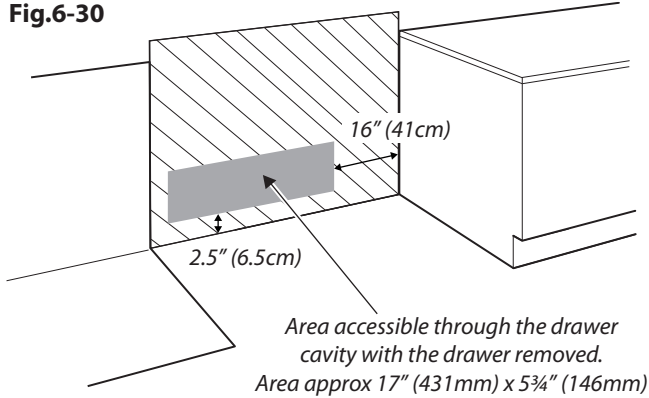


Fig.6-31

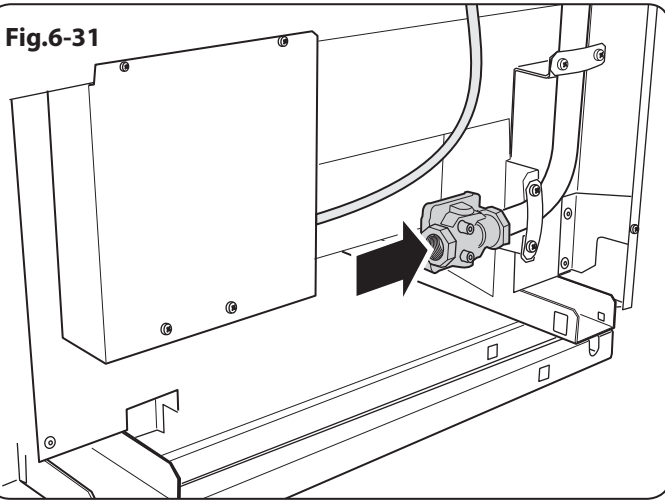
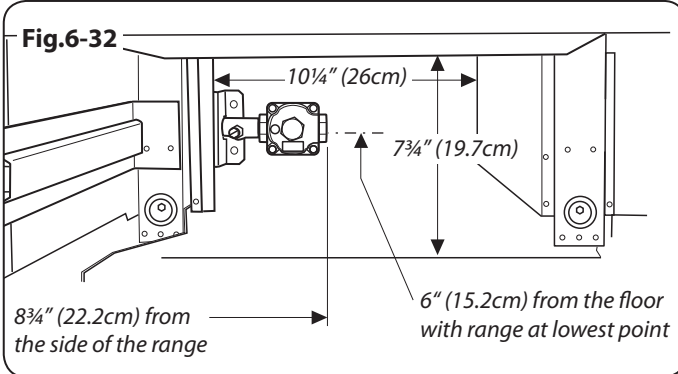


Fig.6-32



Gas Connection

Installation of this range must conform with local codes or, in the absence of local codes, with the National Fuel Gas Code, ANSI Z223.1-latest edition.

In Canada

The range must be installed in accordance with the current CGA Standard CAN/CGA-B149 – Installation Codes for Gas Burning Appliances and Equipment and/or local codes.

In The Commonwealth Of Massachusetts

This product must be installed by a licensed plumber or gas fitter when installed within the Commonwealth of Massachusetts.

A "T" handle type manual gas valve must be installed in the gas supply line to this appliance.

Gas Supply Requirements

Recommended gas pipe outlet locations are shown in Fig.6-30, Fig.6-31 and Fig.6-32.

Provide Adequate Gas Supply

Prior to installation, ensure that the local distribution conditions (nature of the gas and gas pressure) and the adjustment of the appliance are compatible.

The range is designed to operate at a manifold pressure of 4" of water column (1 kPa) on natural gas. A conversion kit for LP gas (Propane) is supplied with the range. When converted to LP gas, a pressure of 10" of water column (2.49 kPa) is required.

Make sure you are supplying your range with the correct type of gas.

If the range is to be used on LP gas, a qualified LP installer must convert it. We recommend that the range be converted before installation. This must be done before the range can be used on LP gas.

For proper operation, the pressure of natural gas supplied to the regulator must be between 4 1/2" and 13" of water column (1.12–3.24 kPa).

For LP gas, the pressure supplied must be between 10" and 13" of water column (2.49–3.24 kPa).

When checking for proper operation of the regulator, the inlet pressure must be at least 1" (0.25 kPa) greater than the operating (manifold) pressure as given above.

The pressure regulator located at the inlet of the range manifold must remain in the supply line regardless of whether natural or LP gas is being used.

A flexible metal appliance connector used to connect the range to the gas supply line should have an I.D. of 1/2" and be 5 feet in length for ease of installation.

INSTALLATION

Check the appliance is electrically safe and gas sound when you have finished.

Connect the Range to the Gas Supply

Shut off the main gas supply valve before disconnecting the old range and leave it off until the new hookup has been completed. Don't forget to relight the pilot on other gas appliances when you turn the gas back on.

Because hard piping restricts movement of the range, the use of a CSA International-certified flexible metal appliance connector is recommended unless local codes require a hard-piped connection.

Never use an old connector when installing a new range. If the hard piping method is used, you must carefully align the pipe; the range cannot be moved after the connection is made.

To prevent gas leaks, put pipe joint compound on, or wrap pipe thread tape with Teflon* around, all male (external) pipe threads.

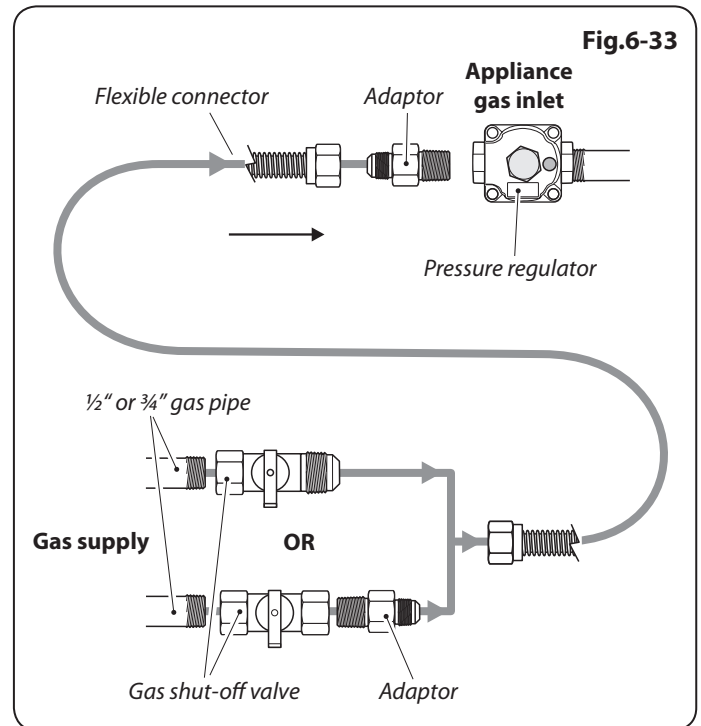
- A.** Install a manual gas line shut-off valve in the gas line in an easily accessed location outside of the range. Make sure everyone operating the range knows where and how to shut off the gas supply to the range.
- B.** Install a male $\frac{1}{2}$ " flare union adapter to the $\frac{1}{2}$ " NPT internal thread elbow at inlet of regulator. Use a backup wrench on the regulator fitting to avoid damage. When installing the range from the front, remove the 90° elbow for easier installation.
- C.** Install male $\frac{1}{2}$ " or $\frac{3}{4}$ " flare union adapter to the NPT internal thread of the manual shut-off valve, taking care to backup the shut-off valve to keep it from turning.
- D.** Connect flexible metal appliance connector to the adapter on the range. Position the range to permit connection at the shut-off valve.
- E.** When all connections have been made, make sure all range controls are in the off position and turn on the main gas supply valve. Use a liquid leak detector at all joints and connections to check for leaks in the system. Use a product specifically manufactured for leak detection. Leak testing of the appliance shall be conducted in accordance to the manufacturer's instructions.

⚠ CAUTION: DO NOT use a flame to check for gas leaks.

When using test pressures greater than $\frac{1}{2}$ psig (3.5 kPa) to pressure test the gas supply system of the residence, disconnect the range and individual shut-off valve from the gas supply piping. When using test pressures of $\frac{1}{2}$ psig (3.5 kPa) or less to test the gas supply system, simply isolate the range from the gas supply system by closing the individual shut-off valve.

Flexible Connector

Installer: Inform the consumer of the location of the gas shut-off valve (**Fig.6-33**).



*Teflon: Registered trademark of DuPont